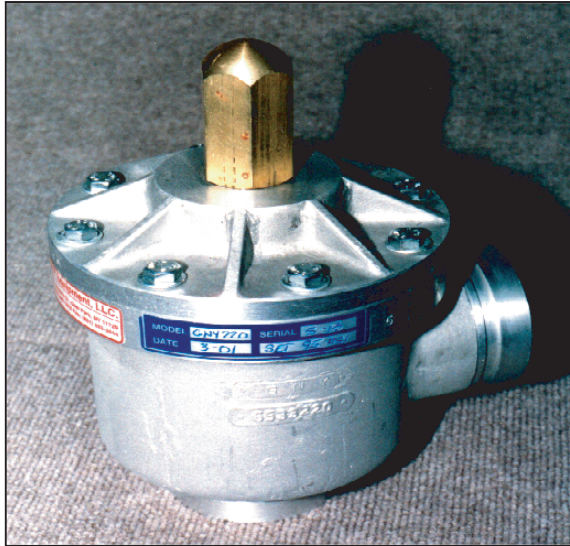
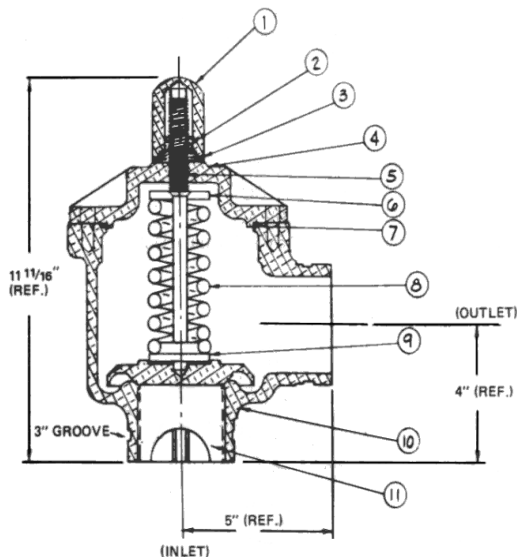


GNY 3" ALUMINUM BYPASS PRESSURE RELIEF VALVE MODEL 6533220



PRESSURE RANGE
FROM 40 TO 150 PSI
(Factory Set at 95 PSI)

DESIGNED FOR USE ON AIRCRAFT REFUELERS AND HYDRANT SERVICERS TO PROTECT THE PUMPING, FILTERING AND METERING EQUIPMENT. THE GNY VALVE FEATURES ALUMINUM CONSTRUCTION AND 3" VICTUALIC GROOVED INLET AND OUTLET.



ITEM	QTY.	DESCRIPTION
1	1	Cap
2	1	Lock Nut
3	1	"O" Ring
4	1	Bonnet
5	1	Set Screw
6	1	Spring Disc - Upper
7	1	"O" Ring
8	1	Spring
9	1	Stem
10	1	Body
11	1	Seat, Disc

GNY EQUIPMENT, LLC

20 DREXEL DRIVE · BAY SHORE · NEW YORK 11706 · U.S.A.

Phone: 631 273 4940 · Fax: 631 273 5018

email: gnyequip@gnyequipment.com

www.gnyequipment.com